

REFERENCE OF FINISHED PROJECT BY SPBEC

	2010	«KOTLAS CBK» (Group "ILIM")	Control system of rewinder PM4
	2009-2010	«KOTLAS CBK» (Group "ILIM")	Control system of rewinder PM2
	2007	«Mondi business paper. Sycytkar LPK»	Control system of paket line PM14

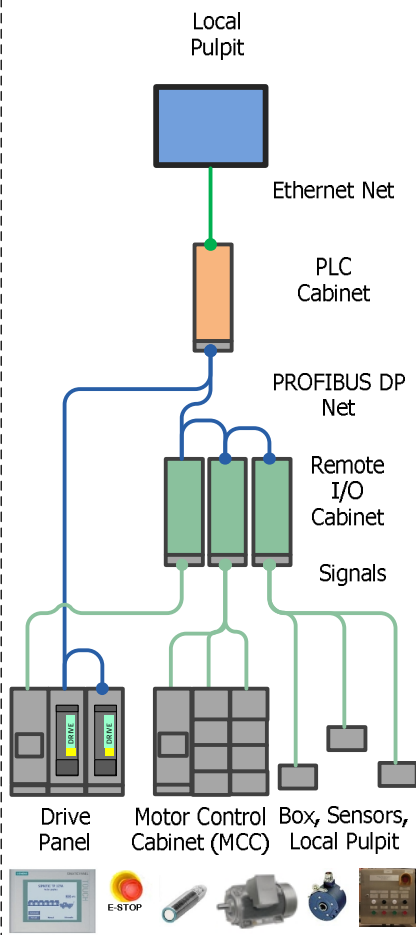
REFERENCE OF FINISHED PROJECT BY SPBEC

	2010	«KOTLAS CBK» (Group "ILIM")	Turn-key control system for drive of PM1
	2008	«KOTLAS CBK» (Group "ILIM")	Turn-key control system for drive of PM6
	2005	«Mondi business paper. Sycytkar LPK»	Turn-key control system for drive of PM21

REFERENCE OF FINISHED PROJECT BY SPBEC

	2011-	«KOTLAS CBK» (Group "ILIM")	Replace Quality Control System and Distributed Control System with Scanner for PM2
	2010-2011	«KOTLAS CBK» (Group "ILIM")	Replace Quality Control System and Distributed Control System with Scanner for PM5
	2010	ООО «Paper and package» Uchali, Bashkiria	Replace Distributed Control System

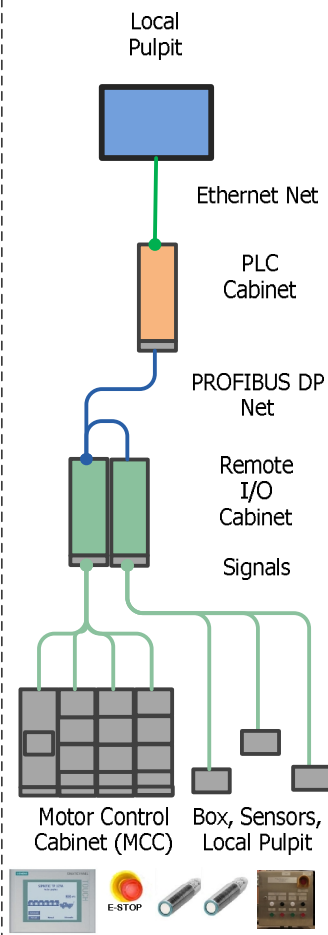
TECHNICAL DECISION OF CONTROL SYSTEM FOR CUTTER LINE



PAPER CUTTER



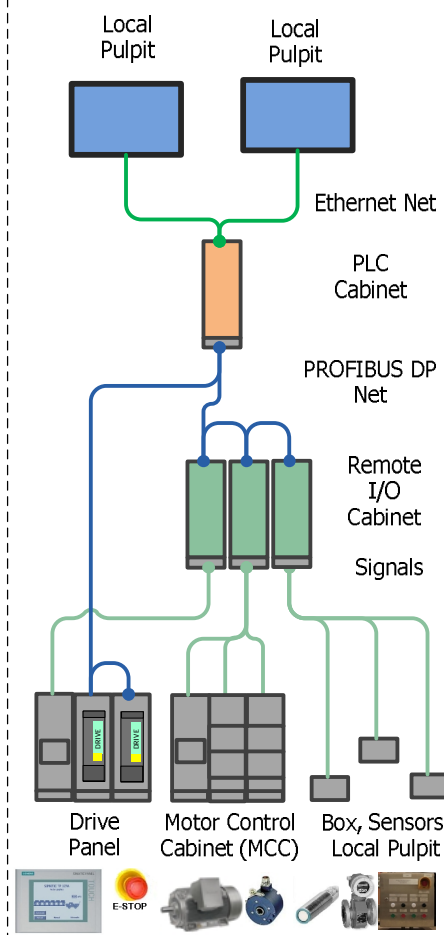
TECHNICAL DECISION OF CONTROL SYSTEM FOR PACKAGE LINE



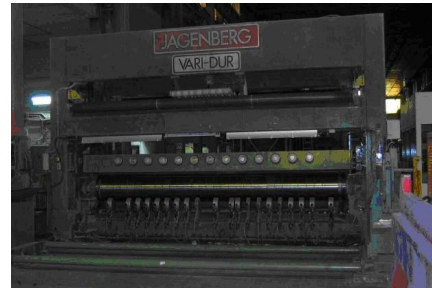
PACKAGE LINE



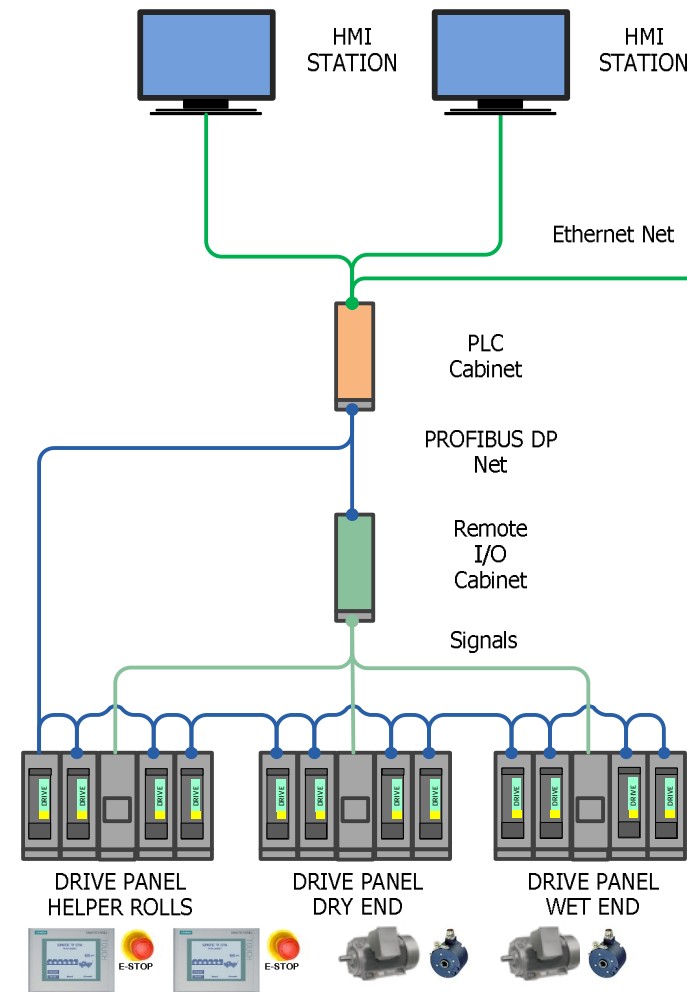
TECHNICAL DECISION OF CONTROL SYSTEM FOR DRIVE REWINDER



REWINDER



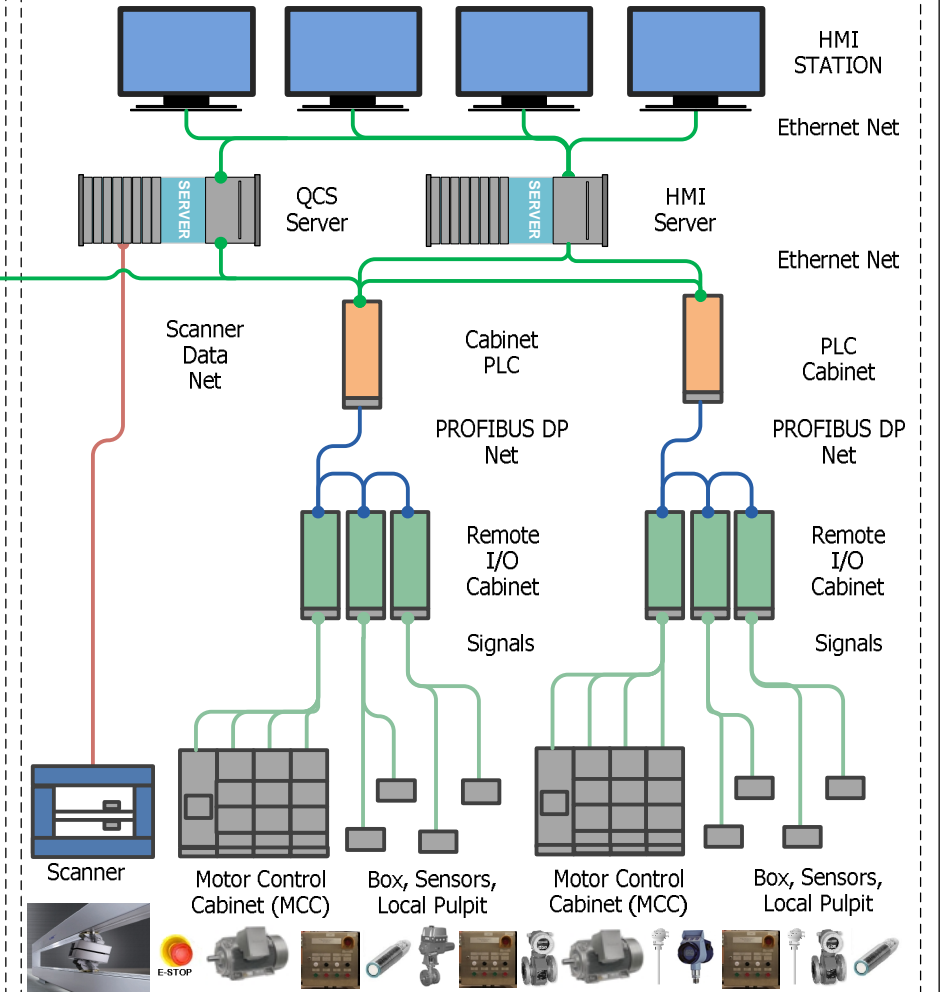
TECHNICAL DECISION OF CONTROL SYSTEM FOR DRIVE PAPER MACHINE



PAPER MACHINE



TECHNICAL DECISION FOR QUALITY CONTROL SYSTEM PAPER MACHINE AND PREPARATION



PAPER PREPARATION

